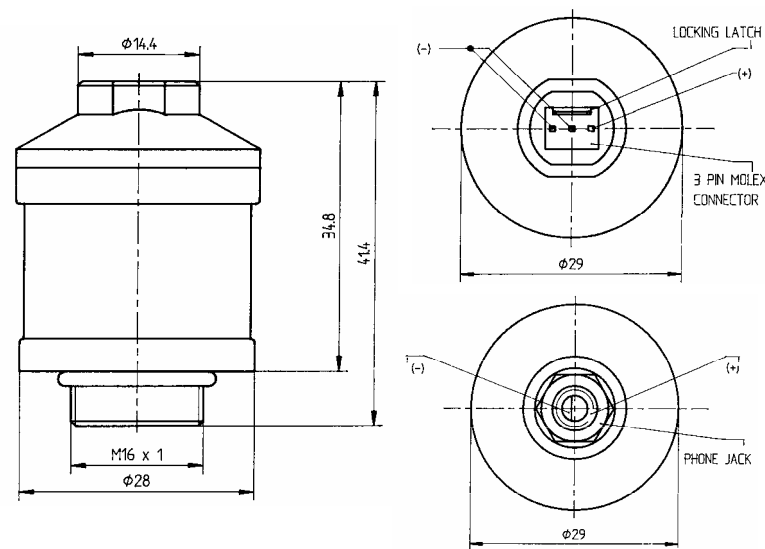


Envitec Industrial Oxygen Sensor Type Oxiplus RM

Sensor Specifications*

Measurement Range	0 - 100 % Oxygen	
Output voltage	10.0 ± 3 mV	
Temperature Compensation	built in	
Response Time	< 5 seconds to 90% of final value.	
Zero Offset Voltage	Less than 200µV in 100% N ₂ , applied for 5 minutes	
Repeatability	± 1% volume O ₂ at 100% O ₂ , applied for 5 minutes	
Drift	<1% volume O ₂ , 8 hrs, between 20% and 100% O ₂	
Linearity Error	< 3% rel.	
Interference:	less than 0.5% O ₂ response to: 10.0% CO ₂ balance N ₂	
Interference to Humidity	None	
Influence of Humidity	-0.03% relative O ₂ concentration per % RH at 25°C	
Nominal sensor Life	≥ 500.000 % hours O ₂	
Operation	Temperature	0°C...50°C
	Effects of Temperature (steady state)	10°C...40°C : 4% error 0°C...50°C : 8% error
	Ambient Pressure	600...1750 hPa
	Relative Humidity	up to 100% (condensing atmosphere over several hours)
Storage	Temperature	-20...60°C
	Recommended Temp.	5...30°C
	Relative Humidity	up to 100% RH
Recommended Calibration	1. Calibrate every 24 hours with 100% O ₂ or 2. Calibrate every 24 hours with ambient air	
Warm-up time	Less than 30 mins. After sensor replacement	
Recommended load (Instrument)	≥ 10 k Ohm	
Part Numbers, Electrical Interface	Type OOI 101	3 Pin Molex
	Type OOI 101-1	Jack Plug

Sensors (Molex & Jack Interface)



*All specifications are applicable at standard conditions: 1013hPa, 25°C dry ambient air
 Drawings not to scale. Dims. in mm.