

## Micro Sensor - Cl<sub>2</sub>

### Operating Performance

Operating Principle	3-electrode electrochemical
Gas Detected	Chlorine
Measurement Range	0-100ppm
Maximum Overload	200ppm
Expected Operating Life	Three years in air
Output Signal	-0.04 ± 0.02µA per ppm
Temperature Range	-20°C to +50°C
Pressure Range	1atm ± 10%
Humidity Range (non-condensing)	Continuous: 15-90% RH Intermittent: 0-99% RH
Response Time (T <sup>5</sup> <sub>90</sub> )	<30 seconds
Baseline Range (clean air)	±10ppm equivalent
Zero Shift (+20°C to +40°C)	TBA
Long Term Output Drift	TBA
Repeatability	± 10% of signal
Linearity	± 5% up to 100ppm
Recommended Load Resistor	100Ω
Blas Voltage	Not required

### Intrinsic Safety Data

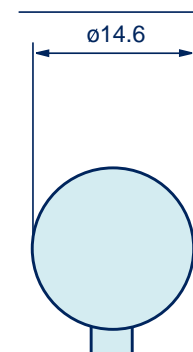
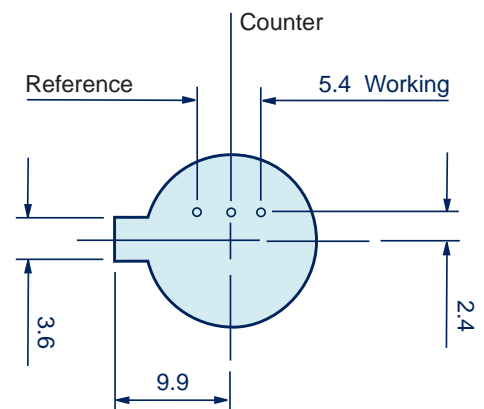
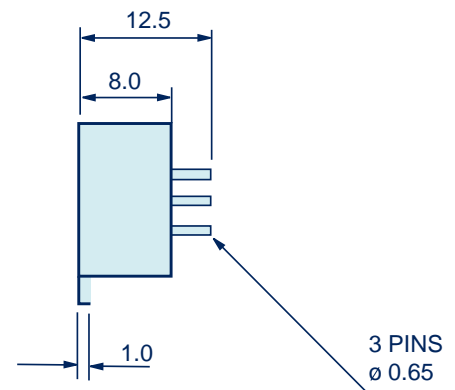
Maximum at 200ppm	0.02mA
Maximum o/c Voltage	0.85V
Maximum s/c Current	1.0A

### Physical Specification

Weight	Approx 1.5g
Housing Material	Polycarbonate (clear)
Storage Life	6 months in sealed container
Storage Conditions	10-20°C, 45-75% RH in clean air
Orientation	Any
Warranty Period	12 months from date of despatch

### Ordering Details

Part Number	2112B1635
Order From	Sixth Sense 4 Stinsford Road, Poole, Dorset, England BH17 0RZ Tel: (44) 01202 645770 Fax: (44) 01202 665331 e.mail: sensors@sixth-sense.com www.sixth-sense.com
Code date: 08/03	





## Additional Information

Innovation, Quality and Expertise for Gas Detection.

Cross Sensitivity Data		
Gas	Concentration	Typical Cl <sub>2</sub> Equivalent
Carbon Monoxide	100ppm	<0.1
Chlorine	100ppm	100ppm
Hydrogen	100ppm	<0.1
Hydrogen Sulphide	100ppm	-100
Methane	100ppm	<1ppm
Nitric Oxide	100ppm	<0.1
Nitrogen Dioxide	100ppm	100
Sulphur Dioxide	100ppm	-6

In the interest of product improvement Sixth Sense reserve the right to alter design features and specifications without notice.