

Product Data Sheet

Product Datasheet

CMP200-D Combustible Gas Sensor

Document Purpose

The purpose of this document is to present the performance specification of the CMP200-D combustible gas sensor.

This document should be used in conjunction with the Product Safety Datasheet (PSDS 21).

The data provided in this document are valid at 20°C, 50% RH and 1013 mBar for 3 months from the date of sensor manufacture.

Output signal can drift below the lower limit over time.

Product Data Sheet

Technical Specifications

MEASUREMENT

Operating Principle	Catalytic Bead
Gases Detected	Most combustible gases
Poison Resistance	Resistant to H ₂ S and Silicones
Measurement Range	0 - 100%LEL
Output Sensitivity*	25 - 34 mV/%methane
Response Time (T₉₀)*	<15 Seconds (methane)
Linearity	Linear in range 0-3% methane
Resolution	Dependant on Electronics

ELECTRICAL

Operating Voltage	3.3 ± 0.1 VDC
Detector Operating Current	Approx 68 mA
Maximum Power Consumption	243 mW

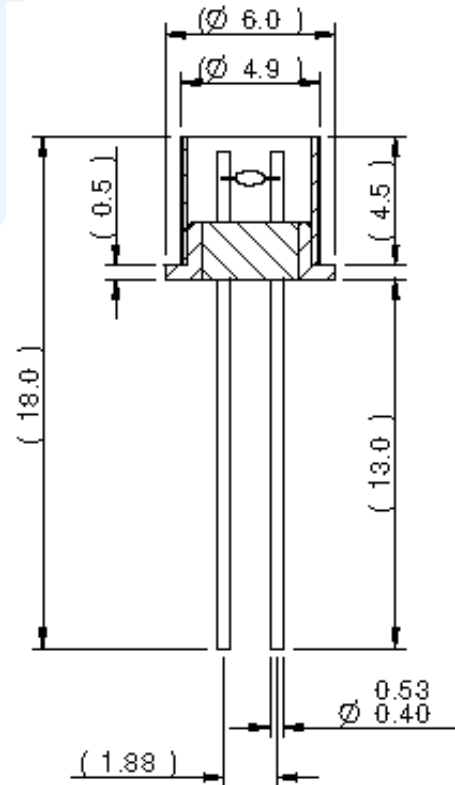
MECHANICAL

Connection	13 mm pins
Housing Material	Stainless Steel 316
Orientation	Any

LIFETIME

Long Term Sensitivity Drift	<5% signal / month
Long Term Zero Drift	<5%LEL _{methane} / month

Product Dimensions



All dimensions in mm
All tolerances ±0.15 mm unless otherwise stated

It is recommended that confirmation of adequate sensor performance be conducted on a regular basis by means of a defined, sensor calibration procedure. The calibration frequency will depend upon the environment in which the sensor is operated and on the perceived level of risk from the build up of flammable atmospheres.

*** Specifications are valid at 20°C, 50% RH and 1013 mBar, using City Technology recommended circuitry. Performance characteristics outline the performance of sensors supplied within the first 3 months. Output signal can drift below the lower limit over time.**

SAFETY NOTE

This sensor is designed to be used in safety critical applications. To ensure that the sensor and/or instrument in which it is used, are operating properly, it is a requirement that the function of the device is confirmed by exposure to target gas (bump check) before each use of the sensor and/or instrument. Failure to carry out such tests may jeopardize the safety of people and property.

Every effort has been made to ensure the accuracy of this document at the time of printing. In accordance with the company's policy of continued product improvement City Technology Limited reserves the right to make product changes without notice. The products are always subject to a programme of improvement and testing which may result in some changes in the characteristics quoted. As the products may be used by the client in circumstances beyond the knowledge and control of City Technology Limited, we cannot give any warranty as to the relevance of these particulars to an application. It is the clients' responsibility to carry out the necessary tests to determine the usefulness of the products and to ensure their safety of operation in a particular application.