

# SPECIFICATION

Product Name: Dual IR Sources NDIR CO2 Sensor Module

Item No.: CM1109

Version: V0.11

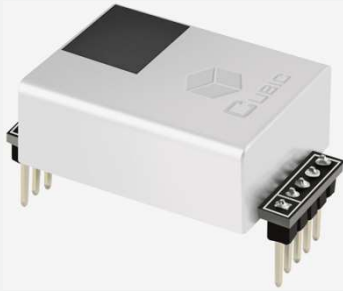
Date: June 18, 2021

# Revision

No.	Version	Content	Date
1	V0.1	The first edition	2019.03.29
2	V0.2	1. Updated the dimension, add the pin distance. 2. Updated the calibration cycle from 1-15 days to 1-30days in protocol.	2019.04.09
3	V0.3	1. Add voltage to the working current "@5V" 2. Sampling frequency changed to 2s from 1s. 3. Updated pin map. 4. Updated the protocol of Read Software Version by changing the response command. Calibration cycle changed to "0-30 days optional, 7 days default", calibration function is closed by default.	2019.05.28
4	V0.4	1. Measurement range changed to "400-5000ppm, extending to 10000ppm" from 400-5000ppm. 2. The product size is updated from W33*H19.7*D9.4 mm to W33*H20.3*D11.4 mm (without pin)	2019.09.19
5	V0.5	1. Sampling frequency changed to 2s from 1s. 2. Working current is updated from <45mA to <70mA	2019.11.14
6	V0.6	Sampling frequency revised to 1.25s	2020.05.29
7	V0.7	Update specification	2020.06.01
8	V0.8	Update specification	2020.07.10
9	V0.9	Update drawing	2020.12.09
10	V0.10	Update description of status bit	2021.03.31
10	V0.11	Update protocol description and package information	2021.06.18

# Dual IR Sources NDIR CO<sub>2</sub> Sensor Module

CM1109



## Applications

- HVAC, central air conditioning
- Agricultural planting, plant cultivation
- Storage, cold chain transportation
- Indoor air quality detector

## Description

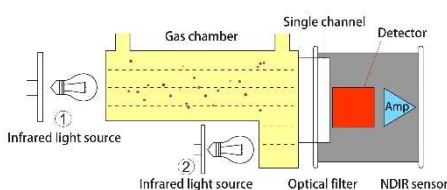
CM1109 is a carbon dioxide sensor based on the new patented two-engine technology and independent intellectual property rights of non-spectrophotometric infrared detection principle. The life of sensor become longer, at the same time, It avoids the influence of temperature and humidity, light source aging and other factors on the sensor measurement accuracy. Better stability and reliability in long-term use. Size and pin map are almost the same as CM1106, Customer can achieve the perfect upgrade of product performance without adjusting the structure and hardware.

## Features

- Self-knowledge products dual engine technology and NDIR technology
- Temperature calibration within whole measurement range
- Life time can be 15 years
- Maintenance free

## Working Principle

The main components of an NDIR CO<sub>2</sub> sensor are an infrared source, a sample chamber, a filter and an infrared detector. The infrared light is directed by the infrared source passing through the gas chamber towards the detector.



CO<sub>2</sub> molecules inside the gas chamber will only absorb a specific wavelength of the light. The filter allows only the specific wavelength corresponded to pass through it. The detector measures the intensity of infrared light that is related to the intensity of CO<sub>2</sub> and can be described through the Lambert-Beer's Law. The change in sensor signal reflects the change in gas concentration.

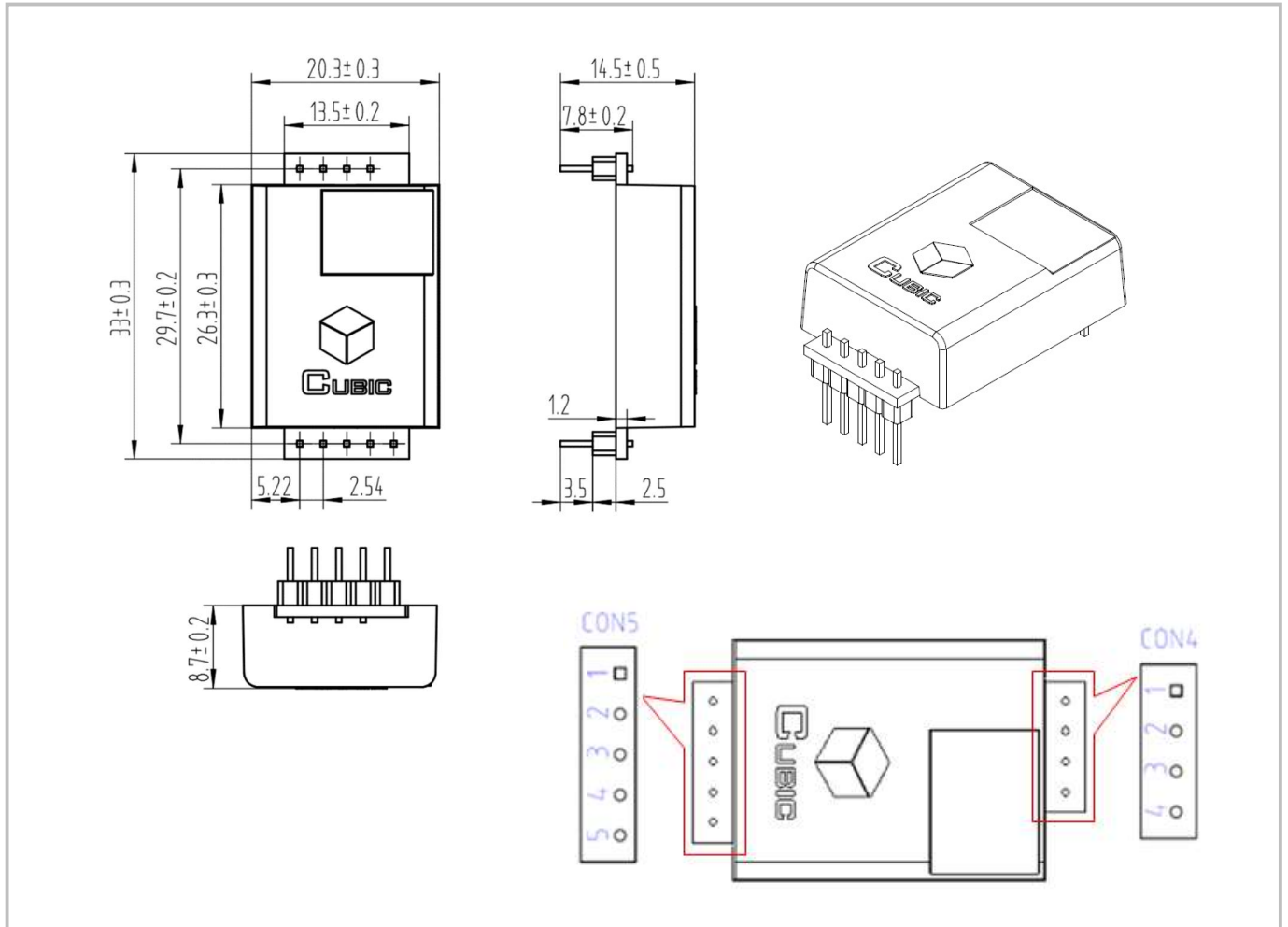
## Specifications

### Single Beam NDIR CO<sub>2</sub> Sensor Specification

Target gas	Carbon dioxide (CO <sub>2</sub> )
Operating principle	Non-dispersive infrared (NDIR)
Measurement range	0-5000ppm
Working temperature	-10°C ~ 50°C
Working humidity	0-95%RH (non-condensing)
Storage temperature	-30°C ~ 70°C
Storage humidity	0-95%RH (non-condensing)
Accuracy	± (50ppm+3% of reading) @ 0°C ~ 50°C , 50±10%RH
Sampling frequency	2s
Time to first reading	≤30s
Power supply	DC 4.5V-5.5V
Working current	<45mA@5V (refer to Otii equipment)
Dimensions	W33*H20.3*D11.4 mm(without pin)
Signal output	UART_TTL PWM I <sup>2</sup> C
Life span	≥15 years

## Dimensions and Connector

### 1. Dimensions (Unit mm, tolerance $\pm 0.2$ mm)

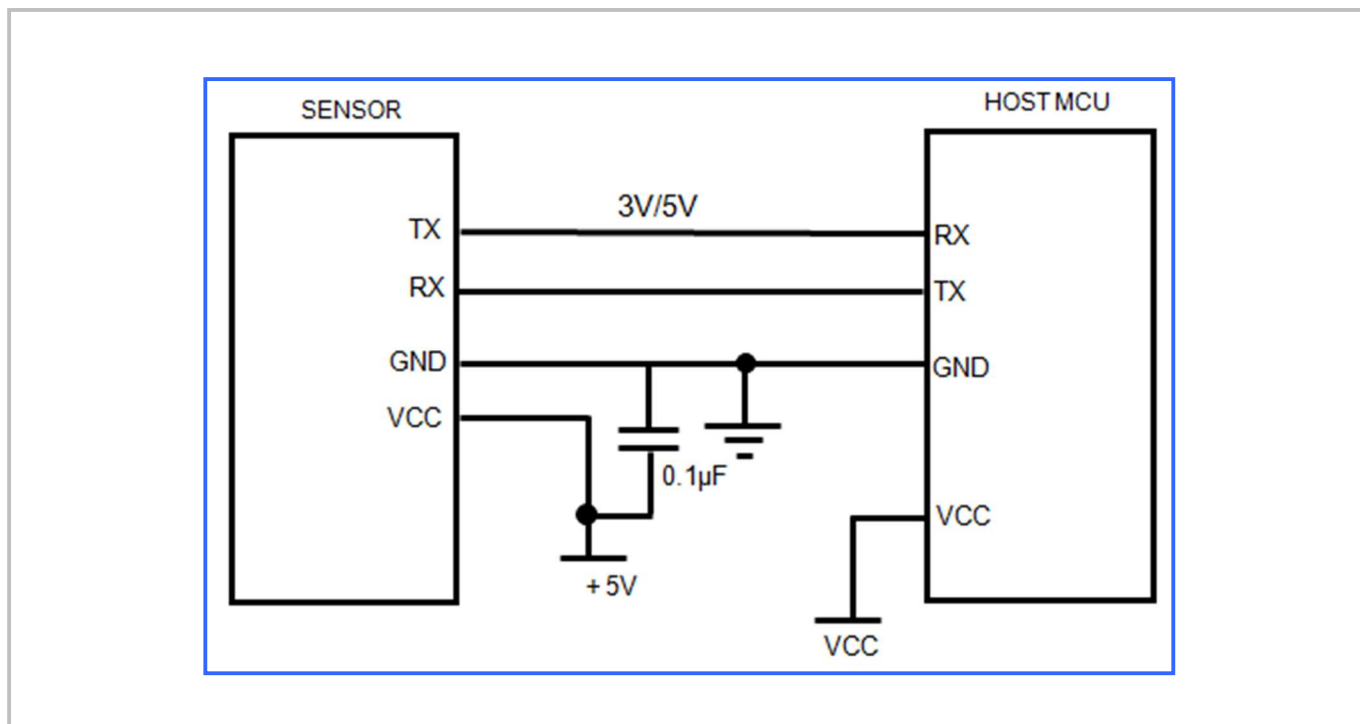


### 2. I/O Connector Pinout

CON5			CON4		
Pin	Name	Description	Pin	Name	Description
1	+3.3V	Power supply output (+3.3V/100mA)	1	+5V	Power supply input (4.5V-5.5V)
2	RX/SDA	UART-RX (Receiving)/I <sup>2</sup> C data, compatible with 3.3V and 5V communication	2	GND	Power supply input (GND)
3	TX/SCL	UART-TX (Sending)/I <sup>2</sup> C clock, Compatible with 3.3V communication	3	A	Alarming (Reserved)
4	R/T	Output mode exchange: High level or floating is UART communication mode, low level is I <sup>2</sup> C communication mode	4	PWM	PWM output
5	CA	Manual calibration			

## Typical Application Circuit

Application scene: UART\_TTL serial port output



## Description of Calibration

### Auto Calibration:

Rough installing and influence of transportation might result in reducing of sensor measuring accuracy and baseline drift, sensor will correct the drift by the built-in self-correcting logic. Powering on the sensor for 7 days continuously, it will record the lowest CO<sub>2</sub> concentration measurement value during the 7 days, which will be regarded as baseline (400ppm) when sensor implements auto calibration after the 7 days working. In order to ensure correct auto calibration, please make sure working environment of the sensor can reach to outdoor fresh air level (400ppm) during the 7 days auto baseline correction cycle.

**Note:** For more detailed information on sensor auto-calibration, please contact Cubic

### Manual Calibration:

Rough installing and influence of transportation might result in reducing of sensor measuring accuracy and baseline drift. If need to recover accuracy quickly after installing, the user can do manual calibration. Put the sensor in the environment where the CO<sub>2</sub> concentration level can reach 400ppm, and to ensure the CO<sub>2</sub> concentration in this environment is stable before calibration. The CA pin of sensor should be well connected at least 2 seconds when doing the manual calibration. Sensor will activate the calibration program after 6 seconds. In addition, sensor also can do manual calibration by sending command, please refer to the communication protocol for more details.

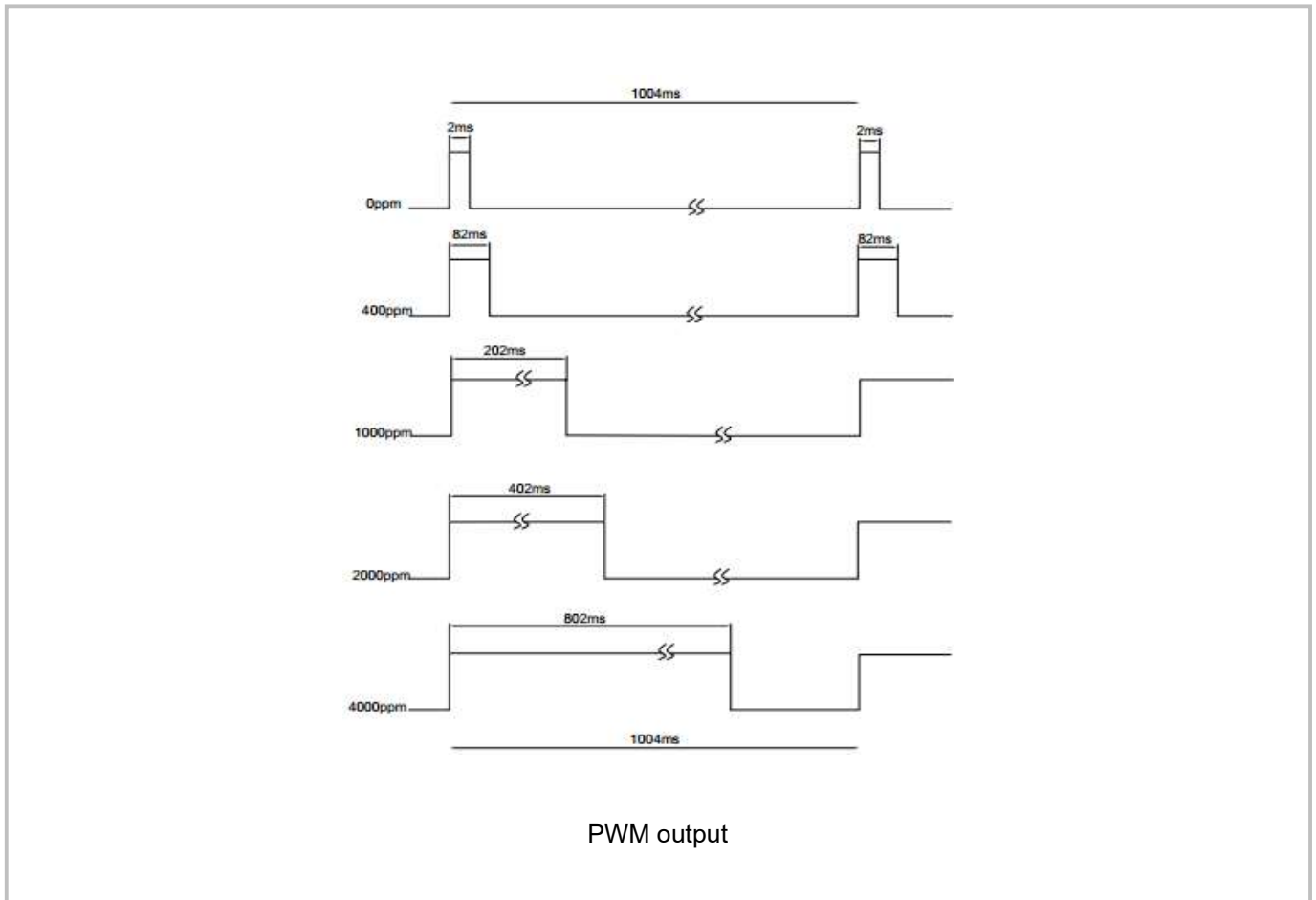
## PWM Output

PWM cycle: 1004ms

Positive pulse width: 0-5000: (PPM/5) + 2ms

CO<sub>2</sub> concentration detection value: 5000ppm range: (PWM Positive pulse width - 2) \* 5

PWM output schema:



### Note

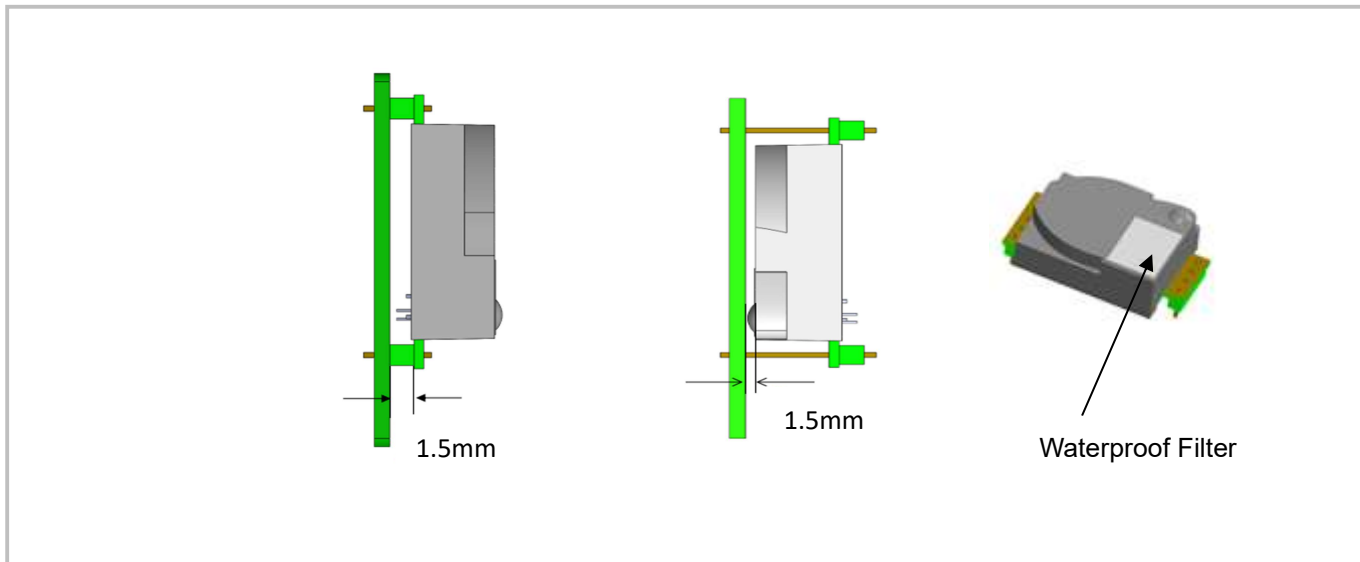
Connect the pin of PWM to the oscilloscope.

Add a pull-up resistor around 5K-10K between the pin of PWM and power supply.

## Product Installation

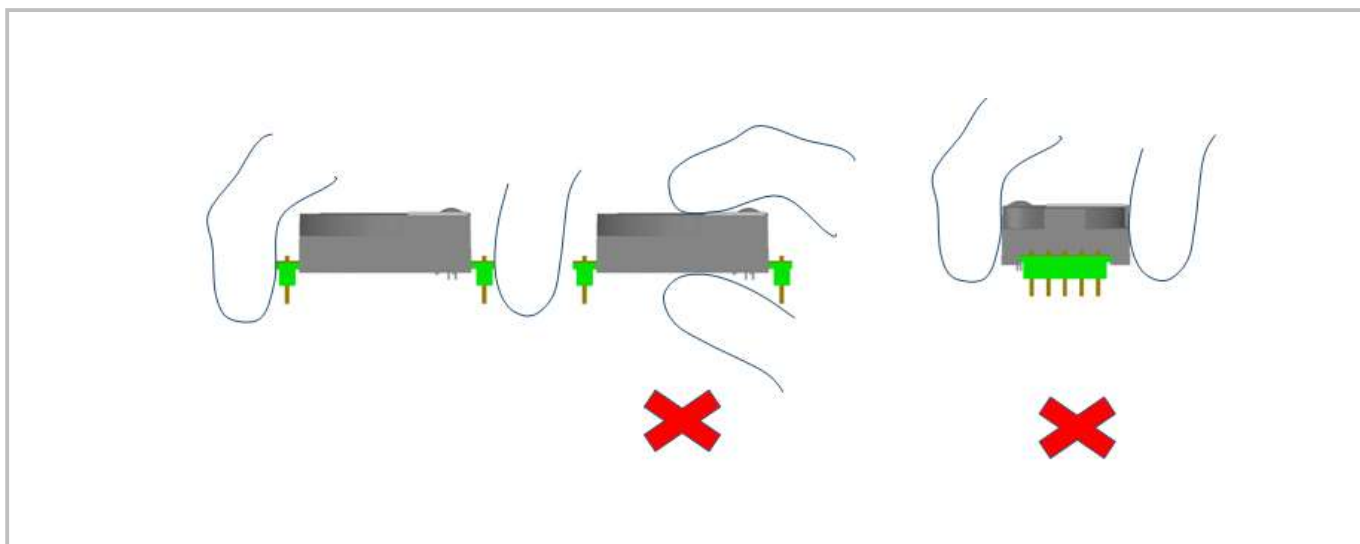
1. In order to ensure airflow diffusion into the sensor inner, make sure the minimum distance between the area of waterproof filter and the other components is 1.5 mm, otherwise, quick response time of the sensor will be effected.

Reference as below:



2. To avoid the influence of stress on sensor, please soldering by hand as much as possible when mounting the sensor to the PCB.

Reference as below:





# UART Communication Protocol

## 1. General Statement

- 1). The data in this protocol is all hexadecimal data. Example: "46" for decimal [70].
- 2). Baud rate: 9600, Data Bits: 8, Stop Bits: 1, Parity: No, Flow control: No.
- 3). [x x] is for single-byte data (unsigned, 0-255); for double data, high byte is in front of low byte.

## 2. Format of Serial Communication Protocol

Sending format of test software:

Start Symbol	Length	Command	Data1	...	Data n.	Check Sum
HEAD	LEN	CMD	DATA1	...	DATAn	CS
11H	XXH	XXH	XXH	...	XXH	XXH

Detail description on protocol format:

Protocol Format	Description
Start Symbol	Sending by test software is fixed as [11H], module response is fixed as [16H]
Length	Length of frame bytes= data length + 1 (including CMD+DATA)
Command	Command
Data	Data of writing or reading, length is not fixed
Check Sum	Cumulative sum of data = 256-(HEAD+LEN+CMD+DATA) %256

## 3. Command Table of Serial Protocol

Item No.	Function Name	Command
1	Read measured result of CO <sub>2</sub>	0x01
2	Open/ Close ABC and set ABC parameter	0x10
3	Calibrate concentration value of CO <sub>2</sub>	0x03
4	Read the serial number of the sensor	0x1F
5	Read software version	0x1E

## 4. Detail Description of RS232 Protocol

### 4.1 Read Measured Result of CO<sub>2</sub>

**Send:** 11 01 01 ED

**Response:** 16 05 01 DF1- DF4 [CS]

**Function:** Read measured result of CO<sub>2</sub> (Unit: ppm)

**Note:**

CO<sub>2</sub> measured result = DF1\*256+DF2

Bit7	Bit6	Bit5	Bit4	Bit3	Bit2	Bit1	Bit0
Reserved	1: Drift 0: Normal	1: Light Aging 0: Normal	1: Non-calibrated 0: Calibrated	1: Less than Measurement Range 0: Normal	1: Over Measurement Range 0: Normal	1: Sensor Error 0: Operating normal	1: Preheating 0: Preheat complete

DF4 is reserved

**Example:**

**Response:** 16 05 01 02 58 00 00 8A

**Explanation:**

Hex is converted to decimal: 02 is 02; 58 is 88 CO<sub>2</sub> concentration =02\*256+88 = 600ppm

**4.2 Open/Close ABC and Set ABC Parameter**

**Send:** 11 07 10 DF1 DF2 DF3 DF4 DF5 DF6 CS

**Response:** 16 01 10 D9

**Explanation:**

- DF1: reserved, default 100 (0x64)
- DF2: open/close auto calibration (0: open; 2: close)
- DF3: calibration cycle (1-30 days optional, default is 7 days)
- DF4: High base value (2 bytes)
- DF5: Low base value (2 bytes)
- DF6: reserved, default is 100 (0x64)

**Note:** The auto calibration function is closed with 7 days calibration cycle by default. The default value of DF4 and DF5 is 400, that is DF4: 01; DF5:90

**4.2.1 Open ABC and Set Calibration Cycle**

In Cubic sensor, the ABC function is default closed status, if want to re-open ABC function, then set the DF2=0.

**Example:**

The user could send below command to open ABC function and set the calibration cycle 7 days.

**Send:** 11 07 10 64 00 07 01 90 64 78

**Response:** 16 01 10 D9

**4.2.2 Closed ABC**

If want to closed it, you should set the DF2=2.

**Example:**

**Send:** 11 07 10 64 02 07 01 90 64 76

**Response:** 16 01 10 D9

**4.2.3 Change the Calibration Cycle**

If want to change the calibration cycle to 10 days, then set the DF3=0A.

**Example:**

**Send:** 11 07 10 64 00 0A 01 90 64 75

**Response:** 16 01 10 D9

### 4.3 Calibration of CO<sub>2</sub> Concentration

**Send:** 11 03 03 DF1 DF2 CS

**Response:** 16 01 03 E6

**Function:** Calibration of CO<sub>2</sub> concentration

**Note:**

1. Calibration target value = DF1\*256+DF2 Unit: PPM, range (400-1500ppm)
2. Before calibration, please make sure CO<sub>2</sub> concentration in current ambient is calibration target value. Keeping this CO<sub>2</sub> concentration for two 2 minutes, then begin calibration.

**Example:**

When need to calibrate CO<sub>2</sub> concentration of the sensor to 600ppm, send command:

**Send:** 11 03 03 02 58 8F

Hex is converted to decimal: 02 is 02; 58 is 88

CO<sub>2</sub> concentration =02\*256+88 = 600ppm

### 4.4 Read the Serial Number of the Sensor

**Send:** 11 01 1F CF

**Response:** 16 0B 1F (SN1) (SN2) (SN3) (SN4) (SN5) [CS]

**Function:** Read the serial number of the sensor

**Note:** Read the serial number of the sensor. SNn: 0~9999, 5 integer form 20-digit number

### 4.5 Read Software Version

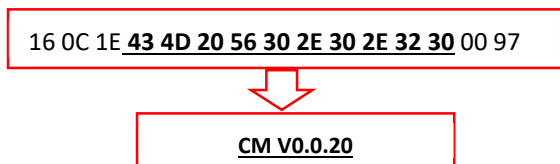
**Send:** 11 01 1E D0

**Response:** 16 [x+1] 1E [CH1] [CH2] [CH3] .....[CHx] CS

**Function:** Read software version

**Note:**

[x+1] stands for byte length,[CHx] stands for software version, it is ASCII code



# I<sup>2</sup>C Communication Protocol

## 1. Timing Diagram Introduction

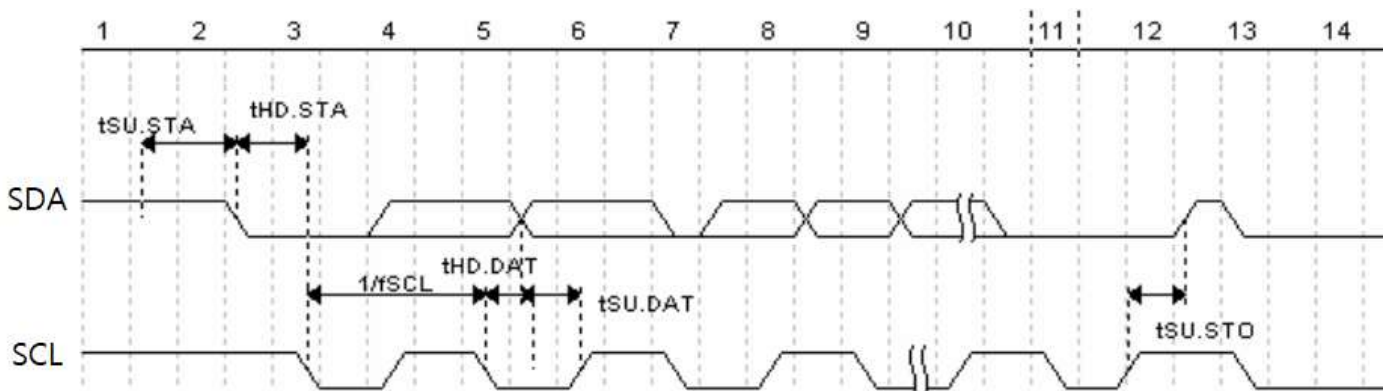
### 1.1 Common Description

- a. This protocol is based on standard I<sup>2</sup>C timing sequence, the clock frequency is 10kHz~400kHz.
- b. Use big-endian format, the most significant bit to be sent first.

### 1.2 I<sup>2</sup>C Sequence Diagram Introduction

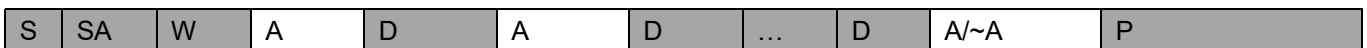
Item	Parameter			Unit
	Min	Type	Max	
fSCL (SCL clock frequency)	10		400	KHz
tHD.STA (hold time of the starting bit)		0.6		us
tSU.STA (setup time of the starting bit)		0.6		us
tHD.DAT (hold time of the data)		0		ns
tSU.DAT (setup time of the data )		250		ns
tSU.STO (setup time of the stop bit)		4		us

**Note:** SCL clock frequency is generated by the master device with the range 10kHz~400kHz.

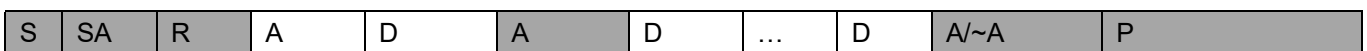


Picture1: I<sup>2</sup>C clock introduction

### 1.3 Basic Data Transmission Formats



Picture 2: The general data format sends from the master device to the slave



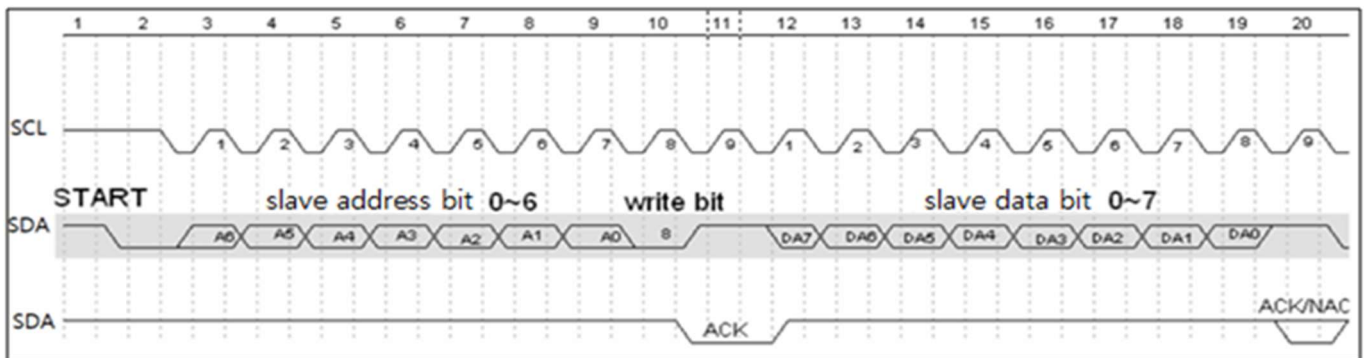
Picture 3: The general data format received from the slave device to the master device

**The meaning of the symbol in picture 1.2 and picture 1.3:**

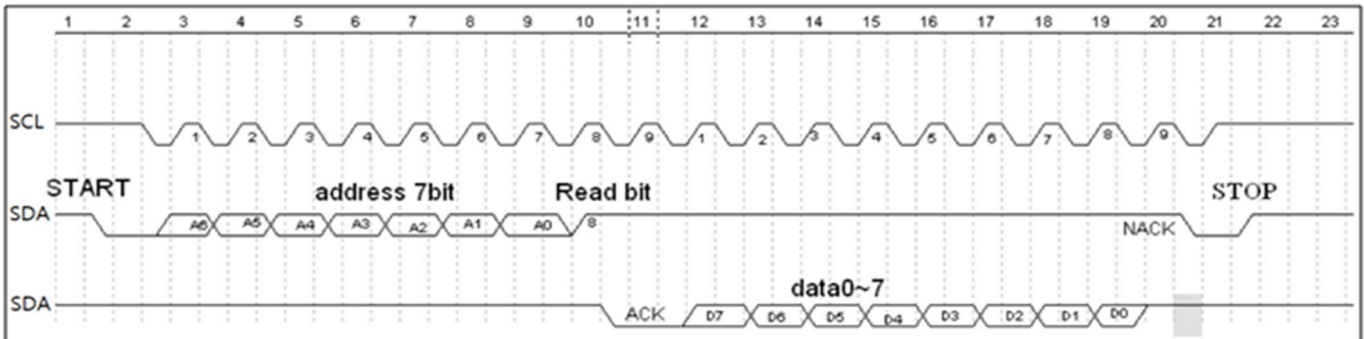
S: start condition

SA: slave address  
 W: write bit  
 R: read bit  
 A: acknowledge bit  
 ~A: not acknowledge bit  
 D: data, each data is 8bit  
 P: stop condition  
 Shadow: The signal generated from the master device  
 No Shadow: The signal generated from the slave device

### 1.4 Timing Diagram



Picture 4: The address byte sent from the master device



Picture 5: The master device read a byte from the slave device

### 1.5 Notes

The performance of the MCU which is used in the sensor is not very high. If you use I/O port to simulate I<sup>2</sup>C master device, it is suggested to reserve a period before and after ACK signal (such as 100 us), after sending every byte (8 bit) to leave enough time for the SCM to process the data. Within requirements of speed, it is recommended to lower the reading speed as much as possible.

## 2. Measuring Function

Format of command

Format of sending:[CMD][DF0].....[DFn]

[CMD] Command number, for distinguishing different command.

[DF0]..... [DFn] The command with parameter item and optional items.

Format of response: [CMD][DF0]..... [DFn] [CS]  
 [CMD]: Command number  
 [DF0]..... [DFn]: Effective data  
 [CS]: Data check bit = -([CMD]+ [DF0]+.....[DFn]) Only use the lowest bit

### 2.1 Statement of Measuring Command

The slave address is 0x31, the data command of the slave device is as below:

No.	Function name	CMD	Function description
1	Measure result	0x01	Read measuring result
2	Auto zero setting specification setting	0x10	Set auto zero setting specification
3	Calibration	0x03	Calibration of CO <sub>2</sub>
4	Read the serial number of the sensor	0x1F	Read the serial number of the sensor
5	Check software version	0x1E	Read software version

### 2.2 Measuring Result

The master device should send command of measuring result.

**Send:** 0x01

**Response:** [0x01][DF0][DF1][DF2][CS]

**Note:**

1. Sensor starts measuring result status once receiving the command 0x01. After this, all the data which I<sup>2</sup>C read will be such status format data, until the sensor receives new command or re-powering on.
2. Data format, master device receives DF0 first, and then receives CS at last.

Remark	Status Bite	Decimal Effective Value Range	Relative Value
CO <sub>2</sub> measuring result	[DF0] [DF1]	0 ~ 5,000 ppm	0 ~ 5,000 ppm

CO<sub>2</sub> measuring result: DF0\*256+DF1, Fixed output is 550ppm during preheating period

Status bit:

Bit7	Bit6	Bit5	Bit4	Bit3	Bit2	Bit1	Bit0
Reserved	1: Drift 0: Normal	1: Light Aging 0: Normal	1: Non-calibrated 0: Calibrated	1: Less than Measurement Range 0: Normal	1: Over Measurement Range 0: Normal	1: Sensor Error 0: Operating normal	1: Preheating 0: Preheat complete

**Example:**

The master device reads some data: Read 3 bit.

0x01 0x03 0x20 0x00 0xDC

CO<sub>2</sub> measuring result = (0x03 0x20)<sub>hexadecimal</sub> = (800)<sub>decimal</sub> = 800 ppm

Status bit: 0x00 means working normally

[CS]= -(0x01+0x03+0x20+0x00) Only keep the lowest bite.

### 2.3 Auto Zero Setting Specification Setting

**Send:** 0x10 [DF0] [DF1] [DF2] [DF3] [DF4] [DF5]

**Response:** [0x10] [DF0] [DF1] [DF2] [DF3] [DF4] [DF5] [CS]

**Format description:**

1. Sensor will be auto calibration specification setting status after receiving command 0x10. After this, all the data which I<sup>2</sup>C read are the data in this status format, until sensor receives new command or repowering on.
2. Data format, the master will receive [DF0] firstly, and receive [CS] at last.

The result is calculated by high bit in front

Remark	Data Byte	Decimal Effective Value Range	Relative Value
Wrong code accelerate value	[DF0]	By default: 100	100
Zero setting switch	[DF1]	0 or 2	0: Open, 2: Close
Calibration period	[DF2]	1 ~ 30	1 ~ 30
Calibration concentration value	[DF3] [DF4]	400 ~ 1500	400 ~ 1500
Reserved byte	[DF5]	By default: 100	100

**2.4 Calibration**

The master device should send command of calibration.

**Send:** 0x03 [DF0] [DF1]

**Response:** [0x03] [DF0] [DF1] [CS]

**Note:**

1. Sensor starts calibration status once receiving command 0x03. After this, all the data which I<sup>2</sup>C read will be such status format data, until the sensor receives new command or re-powering on.
2. Data format, master device receives DF0 first, and then receives CS at last. The result is calculated by high bit in front: [DF0] \* 256 + [DF1].

Remark	Data Bit	Decimal Effective Value Range	Relative value
Adjust value	[DF0] [DF1]	400 ~ 1,500	400 ~ 1,500 ppm

**2.5 Read the Serial Number of the Sensor**

**Send:** 0x1F

**Response:** [0x1F] [DF0] [DF1] [DF2] [DF3] [DF4] [DF5] [DF6] [DF7] [DF8] [DF9] [CS]

**Note:**

1. Sensor starts device code output status once receiving the command 0x1F. After this, all the data which I<sup>2</sup>C read will be such status format data, until the sensor receives new command or re-powering on.
2. Data format, the master device receives [DF0] first, and then receives [CS] at last. High bit in front.

Remark	Data Bit	Decimal Effective Value Range	Relative Value
Integer type 1	[DF0] [DF1]	0 ~ 9999	0 ~ 9999
Integer type 2	[DF2] [DF3]	0 ~ 9999	0 ~ 9999
Integer type 3	[DF4] [DF5]	0 ~ 9999	0 ~ 9999
Integer type 4	[DF6] [DF7]	0 ~ 9999	0 ~ 9999
Integer type 5	[DF8] [DF9]	0 ~ 9999	0 ~ 9999

3. The five-integer types constitute serial number of 20 digits.

### 2.6 Read Software Version

**Send:** 0x1E

**Response:** [0x1E] [DF0] [DF1] [DF2] [DF3] [DF4] [DF5] [DF6] [DF7] [DF8] [DF9] [CS]

**Note:**

1. Sensor starts software version output status once receiving the command 0x1E. After this, all the data which I<sup>2</sup>C read will be such status format data, until the sensor receives new command or re-powering on.
2. Data format, the master device receives DF<sub>0</sub> first, and then receives CS at last. [DF<sub>0</sub>] ..... [DF<sub>9</sub>] is ASCII.

### 3. Communication Diagram

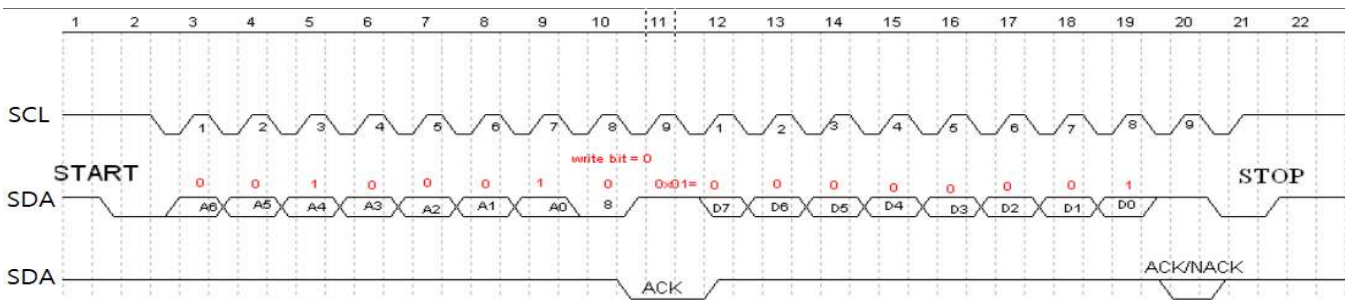
**Diagram:** The master device read two bytes continuously from the slave device.

The slave machine address: 0x31 = 0110001 (the machine address is 7 bit) + read/write bit (1bit)

The slave data address: 0x01 = 00000001

**Step 1:** The master device sends the address of the slave device+ write bit: 0110001+0 → 01100010 (0x62); at this time, the master device is in sending status.

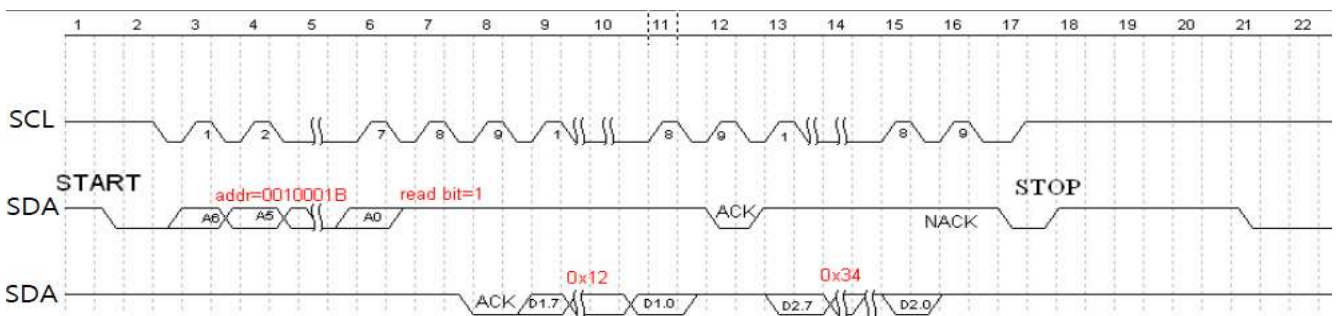
**Step 2:** The master device sends the slave data address: 0x01



Picture 6: The timing diagram send from the master device

**Step 3:** The master device send the slave machine address+ read bit: 0110001+1 → 01100011 (0x63); at this time, the master device is in receiving status.

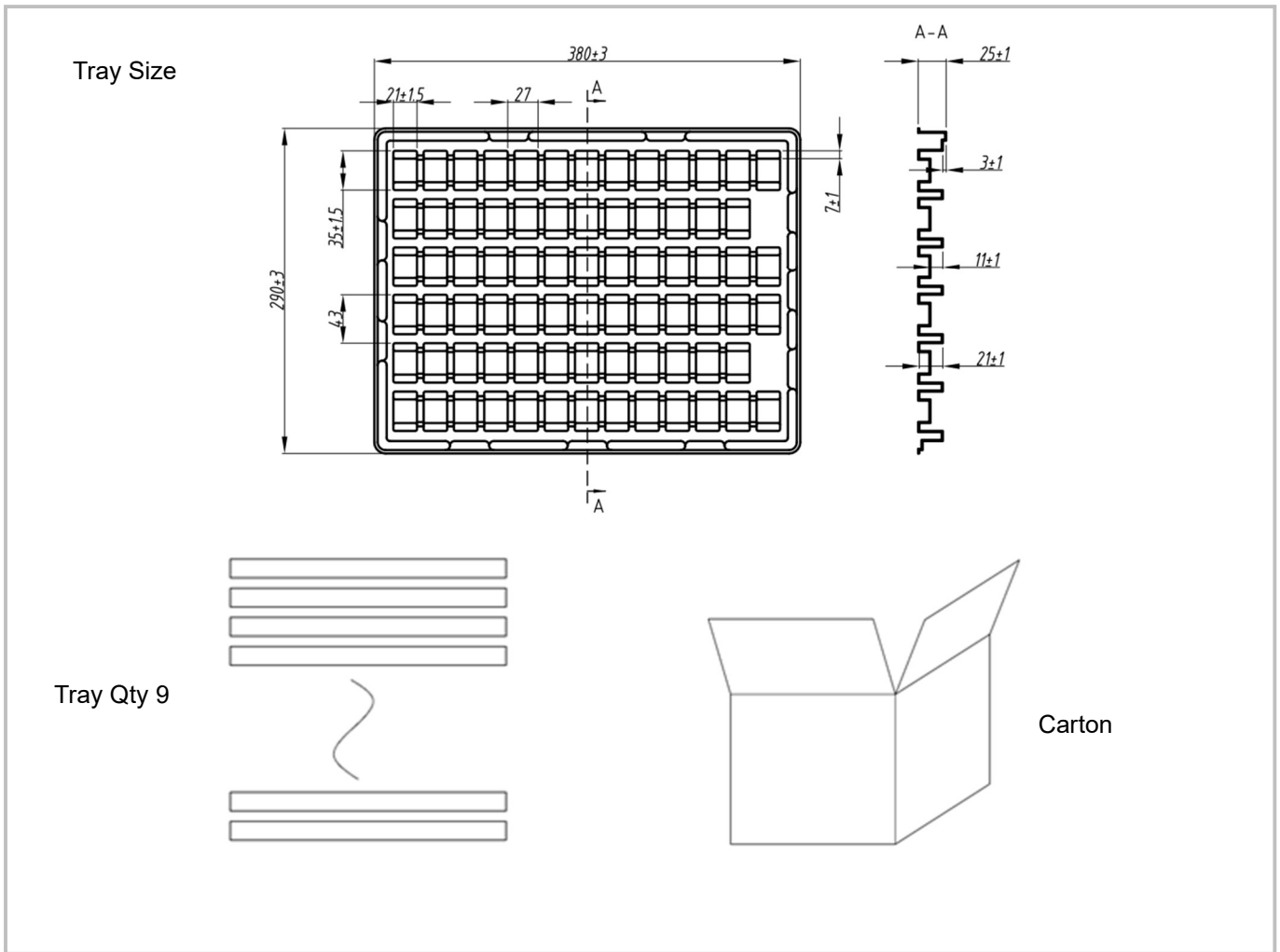
**Step 4:** The master device sends answer bit after receiving a one-bit data and the slave continuously sends the next data. If the master device sends the no-answer bit after receiving a one-bit data, then the communication will stop.



Picture 7: The master device receives the data from the slave device



## Packing Information



Note: every 3 trays are packed by a plastic vacuum bag.

Sensor per Tray	Tray Qty	Sensor per Carton	Carton Dimensions	Packing Material
70 pcs	9 layers	630 pcs	W395 * L310 * H200	Anti-static PS

## After-Sales Services and Consultancy

Cubic Sensor and Instrument Co.,Ltd.

Tel: +86 (0)27 81628827 Fax: +86 (0)27 81628821

Add: Fenghuang No.3 Road, Fenghuang Industrial Park, Eastlake Hi-tech Development Zone, Wuhan 430205, China

E-mail: info@gassensor.com.cn