

Product Data Sheet

Product Datasheet 5NF Nitric Oxide Sensor

Document Purpose

The purpose of this document is to present the performance specification of the 5NF nitric oxide gas sensor.

This document should be used in conjunction with Operating Principles (OP20) and the Product Safety Datasheet (PSDS 18).

The data provided in this document are valid at 20°C, 50% RH and 1013 mBar for 3 months from the date of sensor manufacture.

Output signal can drift below the lower limit over time. For guidance on the safe use of the sensor, please refer to the Operating Principles (OP20).

Product Data Sheet

Key Features & Benefits

- Incorporates scavenging electrode for removal of by-products
- Electrical connection via PCB pins or solder tags

Technical Specifications

MEASUREMENT

Operating Principle	4-electrode electrochemical
Measurement Range	0-1000 ppm NO
Maximum Overload	5000 ppm NO
Filter	To remove effect of SO ₂
Filter Life	25,000 ppm hours (1000 ppm SO ₂ at 200 ml/min)
Sensitivity*	0.10 ± 0.02 µA/ppm
Response Time (T₉₀)*	< 30 seconds
Baseline Offset (clean air)*	0 to 12 ppm equivalent
Maximum Zero Shift (+20°C to +40°C)	30 ppm equiv.
Resolution	1 ppm
When using recommended electronics	
Repeatability	2% of signal
Linearity	Linear

ELECTRICAL

Recommended Load Resistor	10 Ω
Bias Voltage	+300 mV

MECHANICAL

Weight	13 g nominal
Orientation	Any

ENVIRONMENTAL

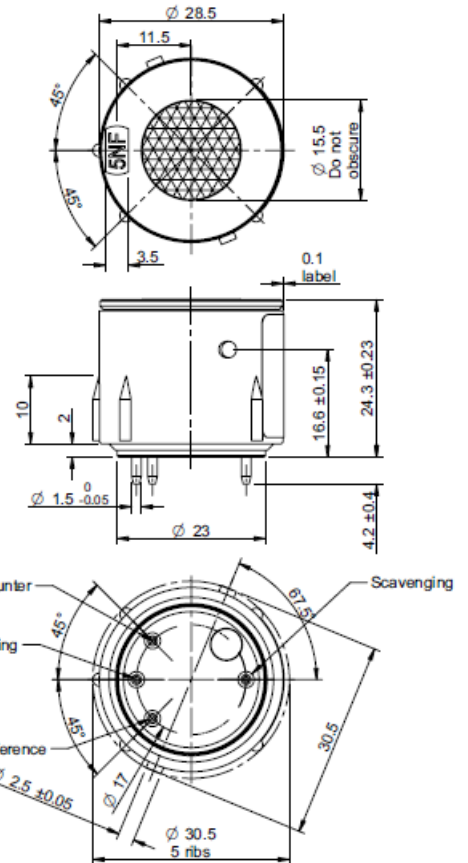
Operating Temperature Range	-20°C to +40°C <small>See note 1</small>
Recommended Storage Temp	0°C to 20°C
Operating Pressure Range	Atmospheric ± 10%
Pressure Coefficient	0.01% signal / mbar
Operating Humidity Range	15 - 90% RH non-condensing

LIFETIME

Long Term Sensitivity Drift	< 2% signal loss/month
Expected Operating Life	Three years in air
Storage Life	6 months in CTL container

Note 1: While not being used to measure NO, the 5NF can withstand temperatures of up to 50°C.

Product Dimensions (without bayonet fitting)



All dimensions in mm

All tolerances ±0.15 mm unless otherwise stated

IMPORTANT NOTE: Connection should be made via PCB sockets only. Soldering to the pins will seriously damage your sensor.

PART NUMBERS

5NF is supplied without bias board. If a bias board is required with the sensor, 5BNF should be ordered.

Sensor	Order Code
5NF (without bias board)	AF508-W0C
5BNF (with bias board)	AF509-W0C

* Specifications are valid at 20°C, 50% RH and 1013 mBar, using City Technology recommended circuitry. Performance characteristics outline the performance of sensors supplied within the first 3 months. Output signal can drift below the lower limit over time.

Product Data Sheet

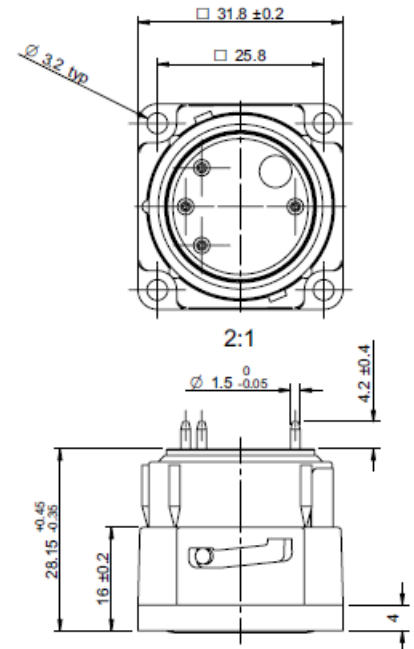
Cross Sensitivity Table

Whilst CiTiceLs are designed to be highly specific to the gas they are intended to measure, they will still respond to some degree to various other gases. The table below is not exclusive and other gases not included in the table may still cause a sensor to react.

IMPORTANT NOTE : The cross sensitivity data shown below does not form part of the product specification and is supplied for guidance only. Values quoted are based on tests conducted on a small number of sensors and any batch may show significant variation. For the most accurate measurements, an instrument should be calibrated using the gas under investigation.

Gas	Cross Interference
Carbon Monoxide, CO	0
Nitrogen Dioxide, NO ₂	<10
Hydrogen, H ₂	0
Hydrogen Chloride, HCl	<5
Hydrogen Sulfide, H ₂ S	0
Sulfur Dioxide, SO ₂	0

Product Dimensions (with bayonet fitting)



All dimensions in mm
All tolerances ±0.15 mm unless otherwise stated

Poisoning

CiTiceLs are designed for operation in a wide range of environments and harsh conditions. However, it is important that exposure to high concentrations of solvent vapours is avoided, both during storage, fitting into instruments and operation.

When using sensors with printed circuit boards (PCBs), degreasing agents should be used before the sensor is fitted. Do not glue directly on or near the CiTiceL as the solvent may cause crazing of the plastic.

SAFETY NOTE

This sensor is designed to be used in safety critical applications. To ensure that the sensor and/or instrument in which it is used, are operating properly, it is a requirement that the function of the device is confirmed by exposure to target gas (bump check) before each use of the sensor and/or instrument. Failure to carry out such tests may jeopardize the safety of people and property.

Every effort has been made to ensure the accuracy of this document at the time of printing. In accordance with the company's policy of continued product improvement City Technology Limited reserves the right to make product changes without notice. The products are always subject to a programme of improvement and testing which may result in some changes in the characteristics quoted. As the products may be used by the client in circumstances beyond the knowledge and control of City Technology Limited, we cannot give any warranty as to the relevance of these particulars to an application. It is the clients' responsibility to carry out the necessary tests to determine the usefulness of the products and to ensure their safety of operation in a particular application.