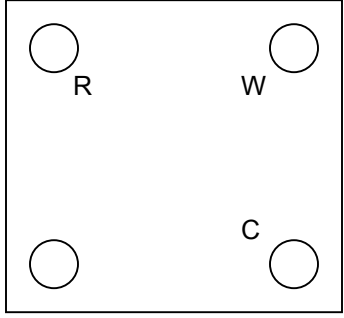
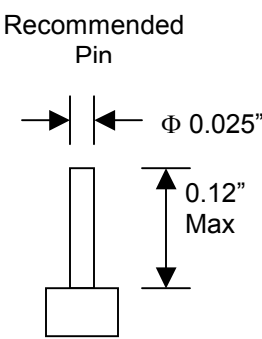



### 3 Electrode T1 Series Hydrogen Sulfide Sensor – 3ET1H2S100

  	<b>Mechanical Specifications</b>											
	<table border="1"> <tr> <td>Dimensions</td> <td>0.57" X 0.57" X 0.27".</td> </tr> <tr> <td>Weight</td> <td>Less than 2 gram</td> </tr> <tr> <td>Material</td> <td>Polypropylene</td> </tr> <tr> <td>Electrolyte</td> <td>Etching liquid in matrix</td> </tr> <tr> <td>Connections</td> <td>Socket</td> </tr> <tr> <td>Gas Supply</td> <td>Diffusion through porous membrane</td> </tr> </table>	Dimensions	0.57" X 0.57" X 0.27".	Weight	Less than 2 gram	Material	Polypropylene	Electrolyte	Etching liquid in matrix	Connections	Socket	Gas Supply
Dimensions	0.57" X 0.57" X 0.27".											
Weight	Less than 2 gram											
Material	Polypropylene											
Electrolyte	Etching liquid in matrix											
Connections	Socket											
Gas Supply	Diffusion through porous membrane											

	<b>3ET1H2S100</b>
Measuring range	0-100 PPM
Maximum overload	100 PPM
Working Electrode Potential	+300 mv
Output Signal, Zero, 25 °C	< ± 5 ppm equivalent maximum
Output Signal, Span, 25 °C	0.300 ± 0.150 µA / PPM
Lower Detection Limit	< 0.5 PPM (depends on circuitry)
Resolution	± 0.5 PPM (depends on circuitry)
Zero Reproducibility	± 2% of reading or 2 ppm
Span Reproducibility	± 1% of reading or 1 ppm
Output Linearity	Linear
Response Time (t-90)	< 30s typical at 20° C
Stabilization time	15 minutes (first installed in a circuit) thereafter < 30 sec.
Operating Temperature	-20 to 50° C (0 – 35° C recommended)
Operating Pressure Range	± 0.2 atm (recommended)
Operating Humidity Range	5 to 95% RH (0 to 100% non-condensing)
Estimated Service Life	> 2 Years
Storage Temperature	22° C Recommended
Storage Pressure	1 ± 0.2 atm Recommended
Storage Humidity Range	50 to 65% RH Recommended
Storage Life	1 year in sealed package
Warranty	One year (extended warranty available)

Contact TTI for application information. TTI reserves the right to alter design features and specifications without notice.