

## FECS44-1000 / -5000

- for the Detection of High Concentration Ammonia

### Features:

- \* High selectivity to NH<sub>3</sub>
- \* Small influence by H<sub>2</sub>S
- \* Excellent durability to NH<sub>3</sub> exposure
- \* Linear output
- \* Long life
- \* Stable baseline
- \* Unique leak-proof structure

### Applications:

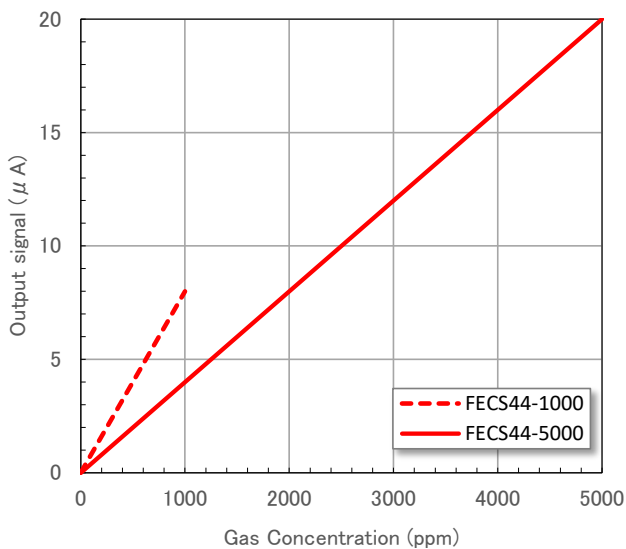
- \* Portable and fixed installation NH<sub>3</sub> monitors
- \* NH<sub>3</sub> detectors
- \* Ammonia leak detection in refrigerators

The FECS44 is a unique electrochemical-type ammonia sensor. Its most notable features are small influence by H<sub>2</sub>S, excellent durability to NH<sub>3</sub> exposure, and a unique leak-proof structure. These features make the sensor ideal for NH<sub>3</sub> monitors and detectors in various fields.



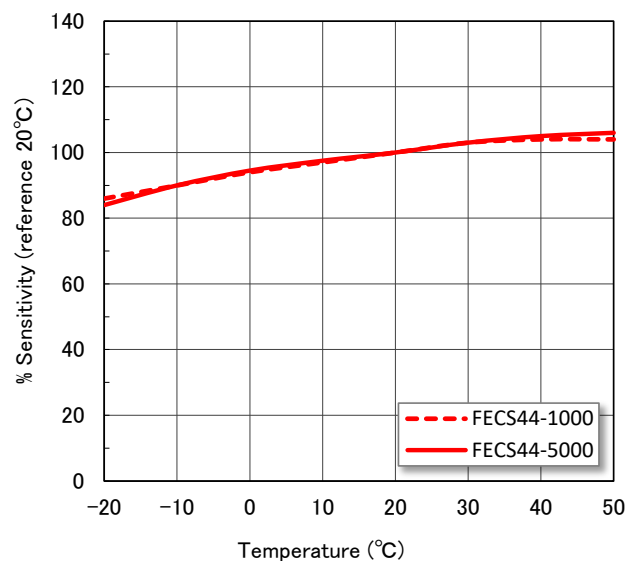
### Sensitivity Characteristics:

Typical characteristics (linearity) of FECS44-1000 / -5000 (20°C) are shown below.



### Temperature Dependency:

Typical characteristics (temperature dependency) of FECS44-1000 / -5000 are shown below.



### Specifications:

Model Number	FECS44-1000	FECS44-5000
Detection Gas	Ammonia	
Detection Range	0 ~ 1000 ppm	0 ~ 5000 ppm
Maximum Overload	2500 ppm	5000 ppm
Output Signal	8 ± 4 nA/ppm (*1)	4 ± 2 nA/ppm (*1)
Repeatability	±10% (*)	
Resolution	10 ppm (*1)	20 ppm (*1)
Baseline Range (Clean air)	±6 ppm (*1)	±10ppm (*1)
Response Time (t <sub>90</sub> )	120 sec (typical)(*1)	150 sec (typical)(*1)
Baseline Shift (-30 ~ 40°C)	< 20 ppm(*1)	< 40 ppm(*1)
Long Term Output Drift	< 2% /month (*1)	
Expected Life Time	> 2 years (*1,*2)	
Operating Temperature	-30 ~ 50°C	
Operating Humidity	15 ~ 90% RH	
Operating Pressure Range	1013 hPa ±10%	
Recommended Load Resistor	33Ω	
Bias Voltage	Not required	
Position Sensitivity	None	
Recommended Storage Temp.	0 ~ 20°C	
Cap Color	Purple	
Weight	4.5g (approx.)	

\*1 Factory test data conditions: 20°C, 50%RH and 1013 hPa.

\*2 Life expectancy in normal air under the factory test conditions is defined as the period until sensor output drops to 60% of its original value.

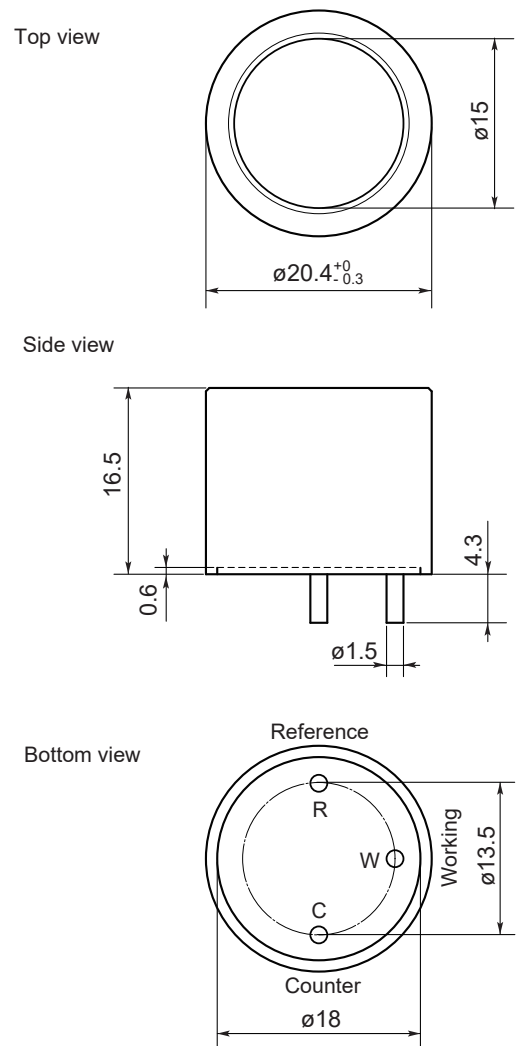
### Cross Sensitivity Data :

Table1 shows the typical response of FECS44-1000 / -5000 to interference gases.

Table1 Cross Sensitivity of FECS44-1000 / -5000 (20°C)

Gas	Concentration (ppm)	Typical Ammonia Concentration(ppm) Equivalent	
		FECS44-1000	FECS44-5000
Ammonia	100	100	100
Hydrogen Sulfide	20	0	0
Sulphur Dioxide	20	-8	-12
Carbon Dioxide	5,000	0	0
Carbon Monoxide	300	0	0
Hydrogen	1,000	0	0
Nitrogen Dioxide	20	0	0
Nitric Oxide	30	0	0
Ethanol	100	0	0

### Dimensions:



All dimensions in mm.

All tolerance ± 0.1mm unless otherwise stated.

FIGARO USA INC.  
 121 S. Wilke Rd. Suite 300  
 Arlington Heights, IL 60005 USA  
 Tel: 847-832-1701  
 Fax: 847-832-1705  
 email: [figarousa@figarosensor.com](mailto:figarousa@figarosensor.com)